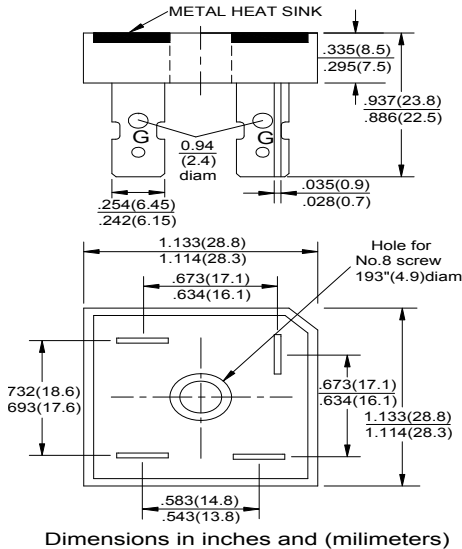


GBPC



FEATURES

- ◆ Surge overload -300~450 amperes peak
- ◆ Low forward voltage drop
- ◆ Mounting position :Any
- ◆ Electrically isolated base-2000 Vlots
- ◆ Solderable 0.25" FAST ON terminals
- ◆ Materials used carries U/L recognition

MAXIMUM RATINGS AND ELECTRICAL CHARACTERISTICS

Ratings at 25°C ambient temperature unless otherwise specified.
 Single phase half-wave 60Hz, resistive or inductive load, for current capacitive load current derate by 20%.

Catalog Number	SYMBOLS	GBPC	GBPC	GBPC	GBPC	GBPC	GBPC	GBPC	UNITS	
		15005	1501	1502	1504	1506	1508	1510		
		25005	2501	2502	2504	2506	2508	2510		
		35005	3501	3502	3504	3506	3508	3510		
Maximum repetitive peak reverse voltage	V_{RRM}	50	100	200	400	600	800	1000	VOLTS	
Maximum RMS voltage	V_{RMS}	35	70	140	280	420	560	700	VOLTS	
Maximum DC blocking voltage	V_{DC}	50	100	200	400	600	800	1000	VOLTS	
Maximum average forward output rectified current at $T_c=50^\circ\text{C}$ (Note 1,2)	$I_{(AV)}$	GBPC 15A	15	GBPC 25A	25	GBPC 35A	35	GBPC 50A	50	Amps
Peak forward surge current 8.3ms single half sine-wave superimposed on rated load (JEDEC Method)	I_{FSM}		300.0		350.0		400.0		450.0	Amps
Maximum instantaneous forward voltage drop per bridge element at 7.5/12.5/17.5/25A	V_F	1.1							Volts	
Maximum DC reverse current $T_J=25^\circ\text{C}$ at rated DC blocking voltage $T_J=100^\circ\text{C}$	I_R	10							μA	
		1.0							mA	
Operating junction temperature range	T_J	-55 to +150							$^\circ\text{C}$	
storage temperature range	T_{STG}	-55 to +150							$^\circ\text{C}$	

RATINGS AND CHARACTERISTIC CURVES GBPC15/25/35/50 SERIES

FIG.1-MAXIMUM FORWARD SURGE CURRENT

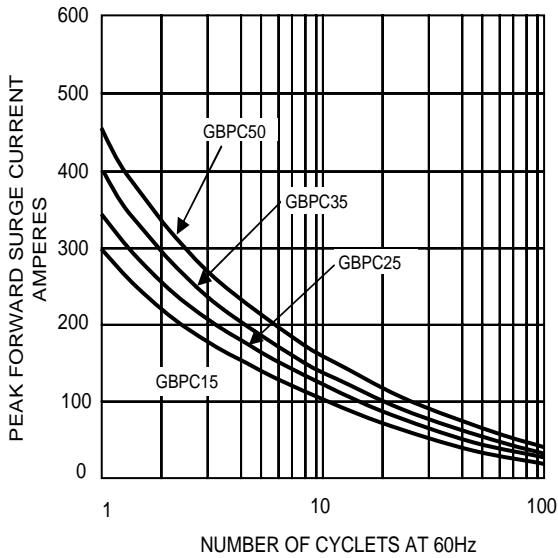


FIG.2- DERATING CURVE OUTPUT RECTIFIED CURRENT

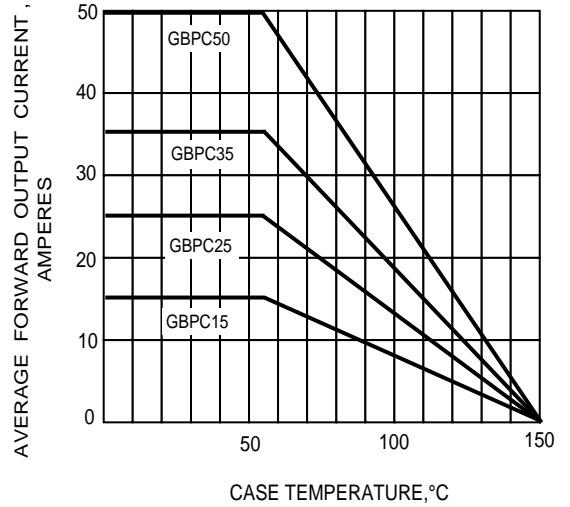


FIG.3-TYPICAL FORWARD CHARACTERISTICS

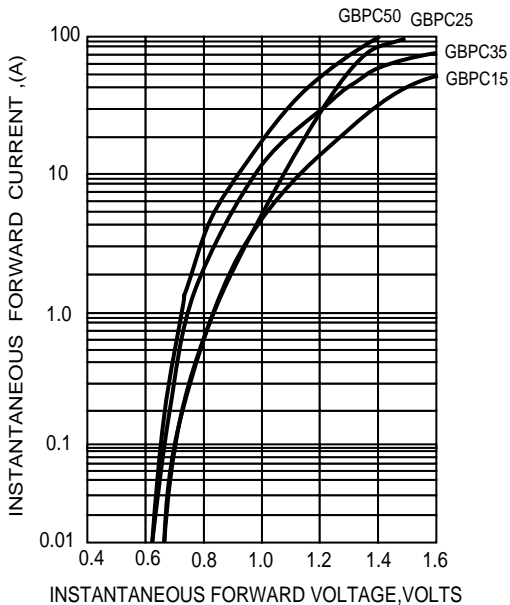
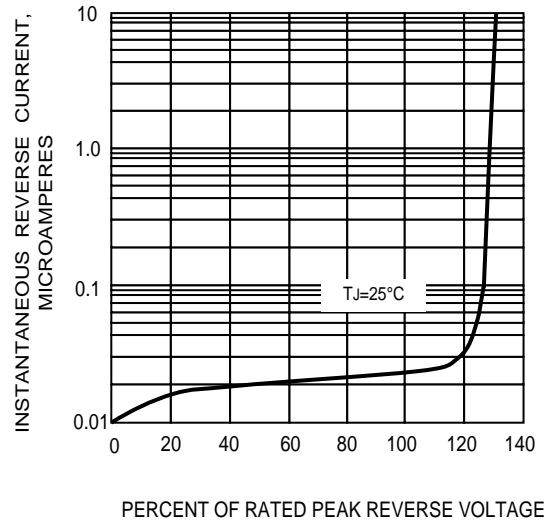


FIG.4-TYPICAL REVERSE CHARACTERISTICS



The cruve graph is for reference only, can't be the basis for judgment()!